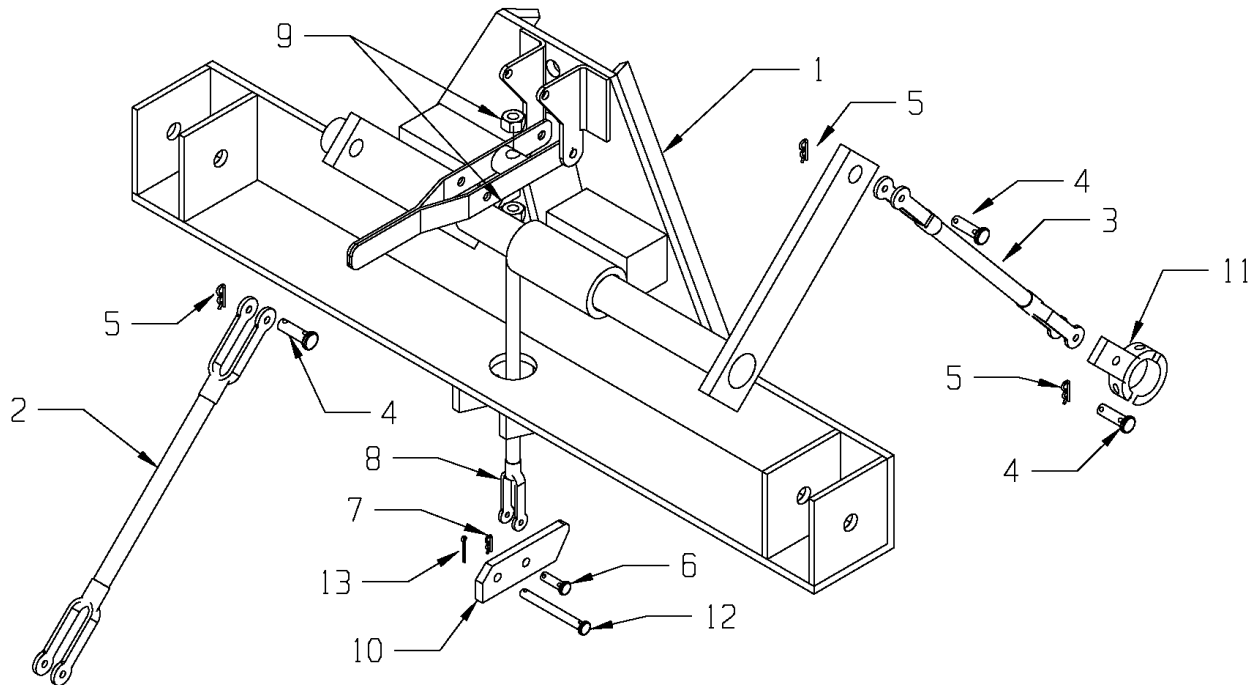


RAHN INDUSTRIES

Infield Groomer Model GL650



Toro Sand Pro QAS

KEY	PART NUMBER	DESCRIPTION	QTY
1	TS T7-1	Hitch Frame, Toro Sand Pro QAS	1
2	TS GL 650-14	Clevis Link, 14 1/2"	1
3	TS GL 650-4	Clevis Link, 8"	1
4	HP-8-04	Mounting Pin, 1/2x1 1/2	3
5	HP-8-11	Hair Pin #11	3
6	HP-8-04	Mounting Pin	1
7	HP-8-11	Hair Pin, #11	1
8	TS GL 650-38	Clevis Link	1
9		Nut, Hex	2
10		Locking Tab	1
11		Split Collar Weldment	1
12		Pin	1
13		Cotter Pin	1