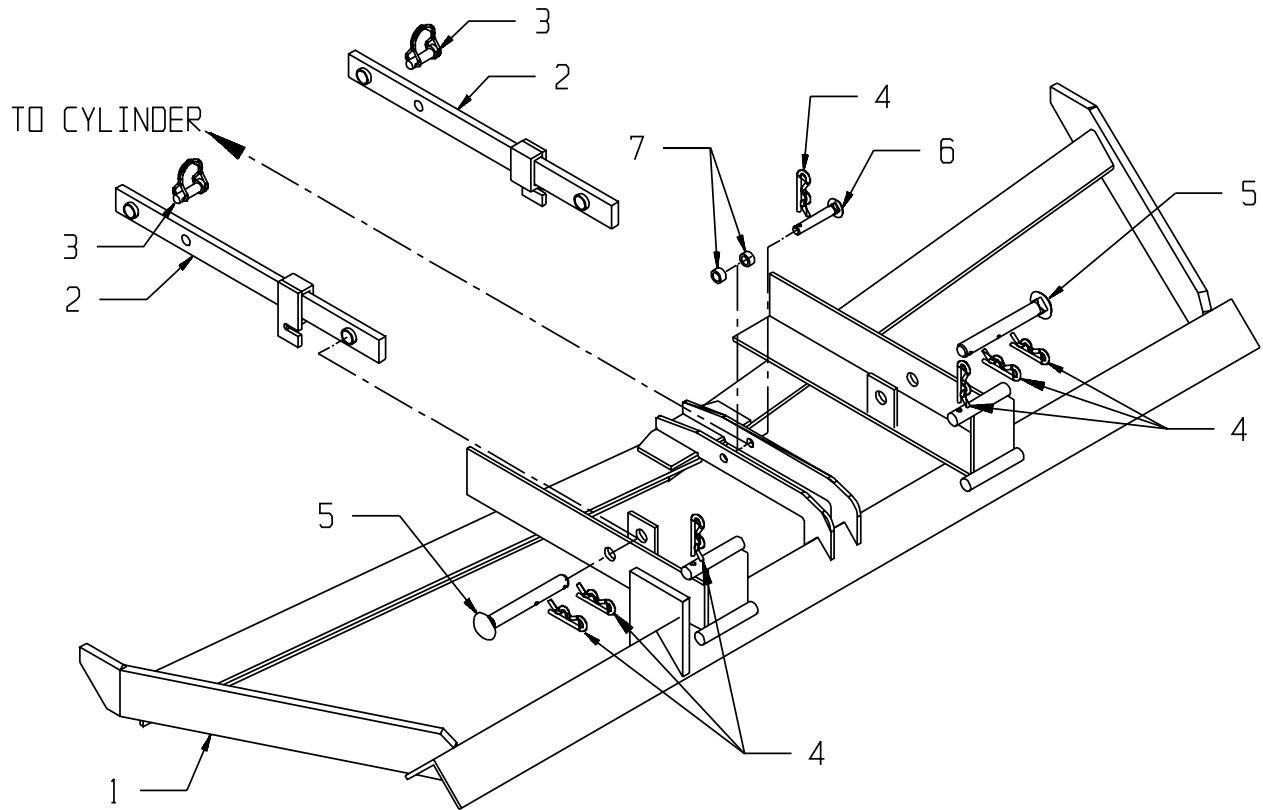


RAHN INDUSTRIES

Infield Groomer Toro Mid-Duty Cart



Base Unit, Infield Groomer

KEY	PART NUMBER	DESCRIPTION	QTY
1	GL650-1	Groomer Frame	1
2	GL650-21-3	Pull Arms, Set (Includes 2 Arms)	1
3	HP8-09-01	Pull Arm Locking Pins, Set (Includes 2 Pins)	1
4	HP-8-10	Hitch Pin	7
5	HP8-02	6" Mounting Pin, Set (Includes 2 Pins)	1
6	HP-8-03	Mounting Pin, 3" x 1/2"	1
7	HP-8-382	Spacer (Set Of 2)	1