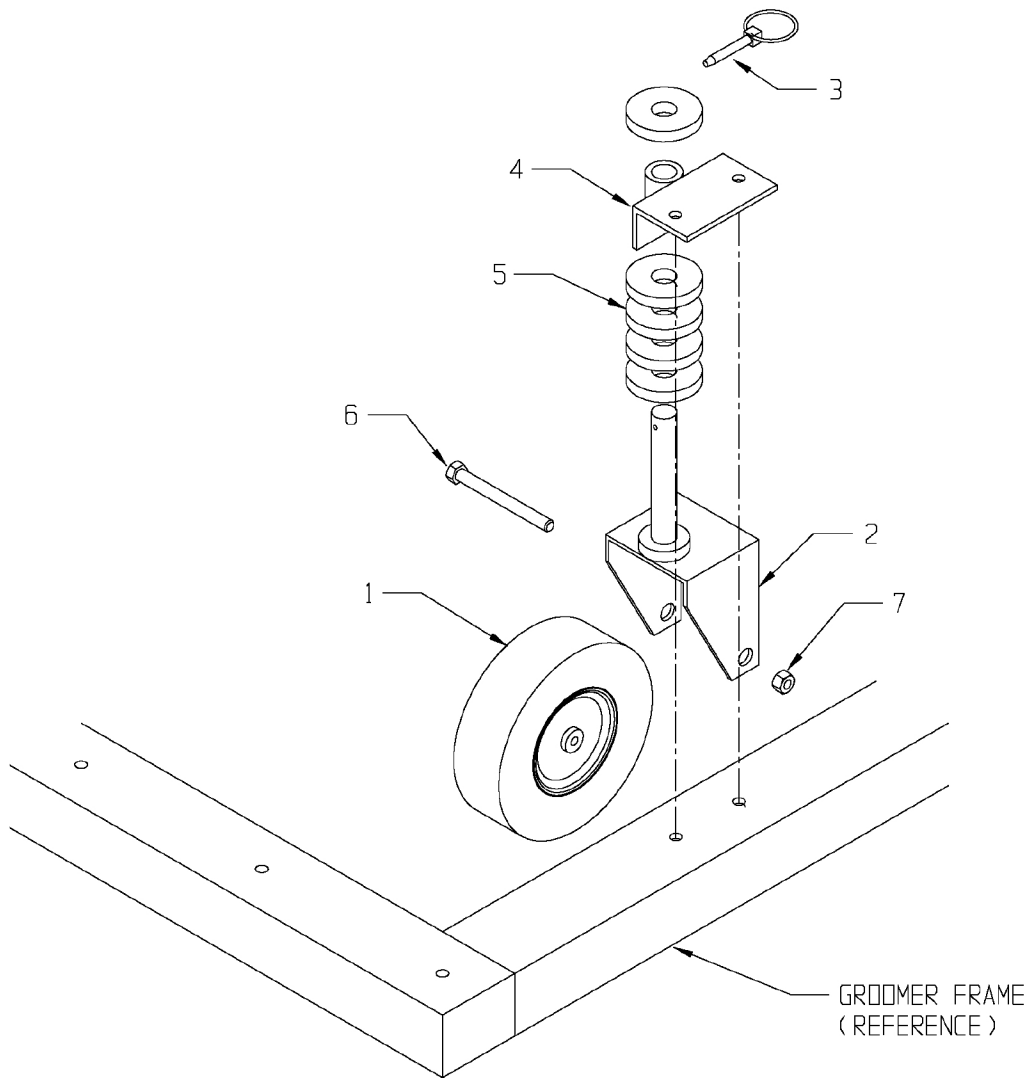




FlexSteel Brush

PT600, PH600, PH1200



Gauge Wheel Option GW-12

KEY	PART NUMBER	DESCRIPTION	QTY
1	GW-1	Wheel & Tire Assembly	1
2	GW-2	Bracket, Wheel Caster	1
3	GW-3	Ring Pin	1
4	GW-4	Bracket, Gauge Wheel Mounting	1
5	GW-5	Spacer	5
6		Bolt, 1/2-13x5	1
7		Nut, 1/2-13 Lock	1

JR Services
 31515 State Hwy 13
 New Prague, MN 56071

1-800-298-1707
www.RahnGroomer.com