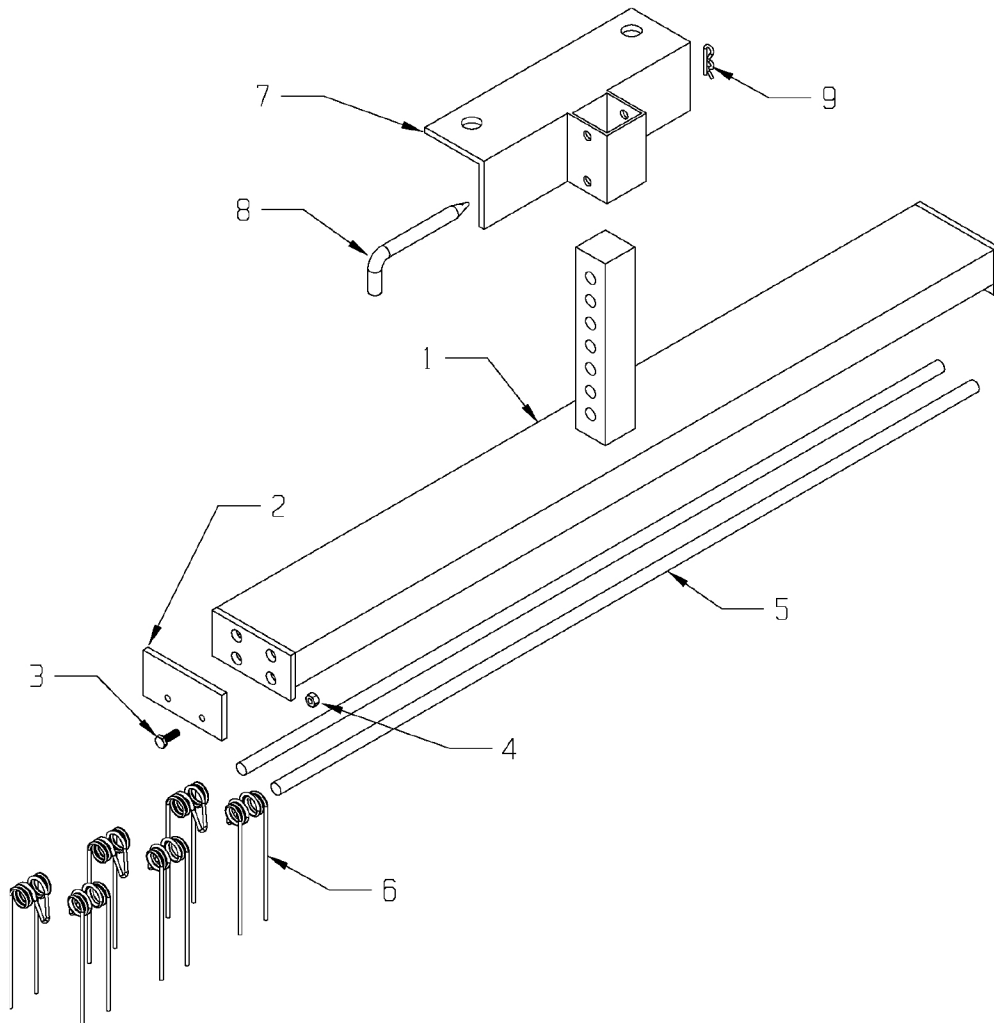




FlexSteel Brush

PT600, PH600, PH1200



Spring Tine Assembly (Fine Tine)

KEY	PART NUMBER	DESCRIPTION	QTY
1	FST-4-1	Frame, Spring Tine	1
2	GL650-4-10-3	End Cap, 2x4x1/4	1
3		HHCS, 1/4x3/4	2
4		Nut, 1/4 Lock	2
5	FST-4-36	Rod, 1/2x36	2
6	FST-4-22	Spring Tine Replacement Set (includes 22 pcs.)	1
7	STM-4-1	Mounting Bracket	1
8	HP-3L-1	Pin, "L"	1
9	HP-8-11	Hair Pin	1

JR Services
 31515 State Hwy 13
 New Prague, MN 56071

1-800-298-1707
www.RahnGroomer.com