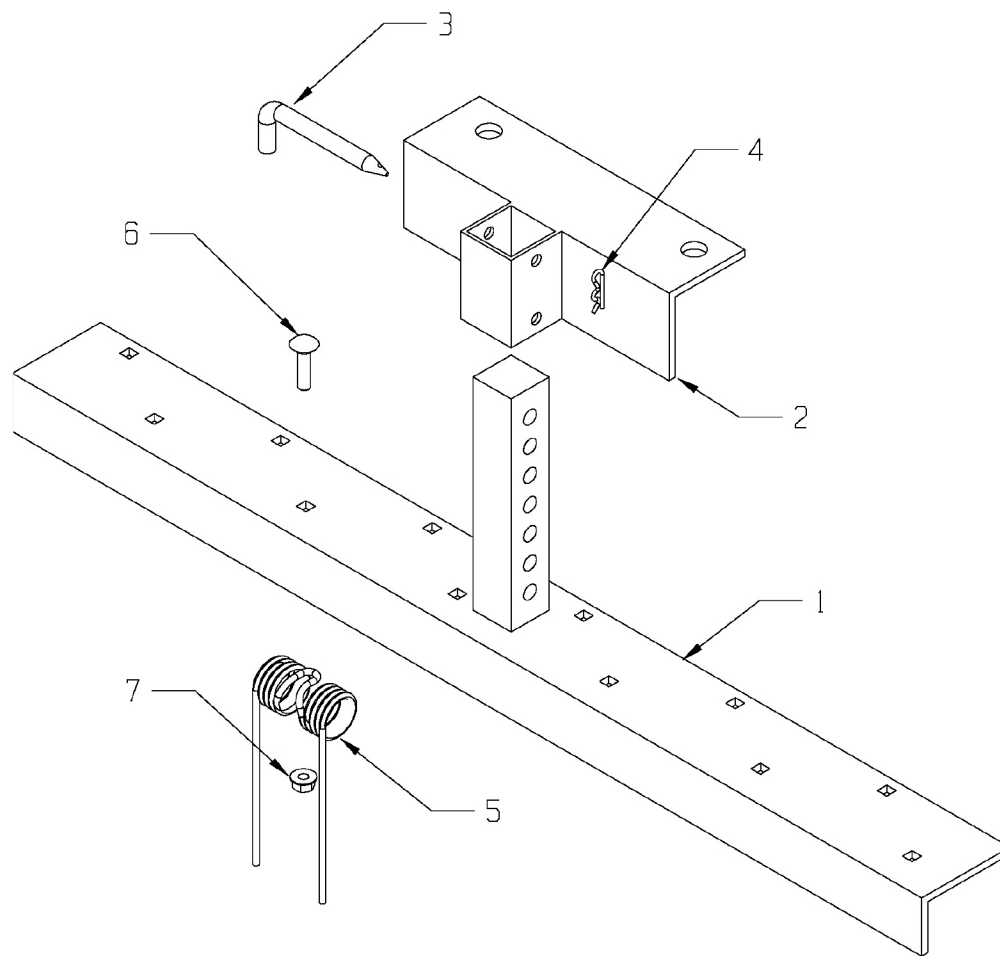




FlexSteel Brush

PT600, PH600, PH1200



Spring Tine Assembly, Heavy Duty

KEY	PART NUMBER	DESCRIPTION	QTY
1	ST-4-1	Frame, Spring Tine	1
2	STM-4-1	Mounting Bracket	1
3	HP-3L-1	Pin, "L"	1
4	HP-8-11	Hair Pin	1
5	ST-4-12	Tine, Heavy Duty	12
6		Bolt, 3/8x1-1/2 Carriage	12
7		Nut, 3/8 Flange	12